

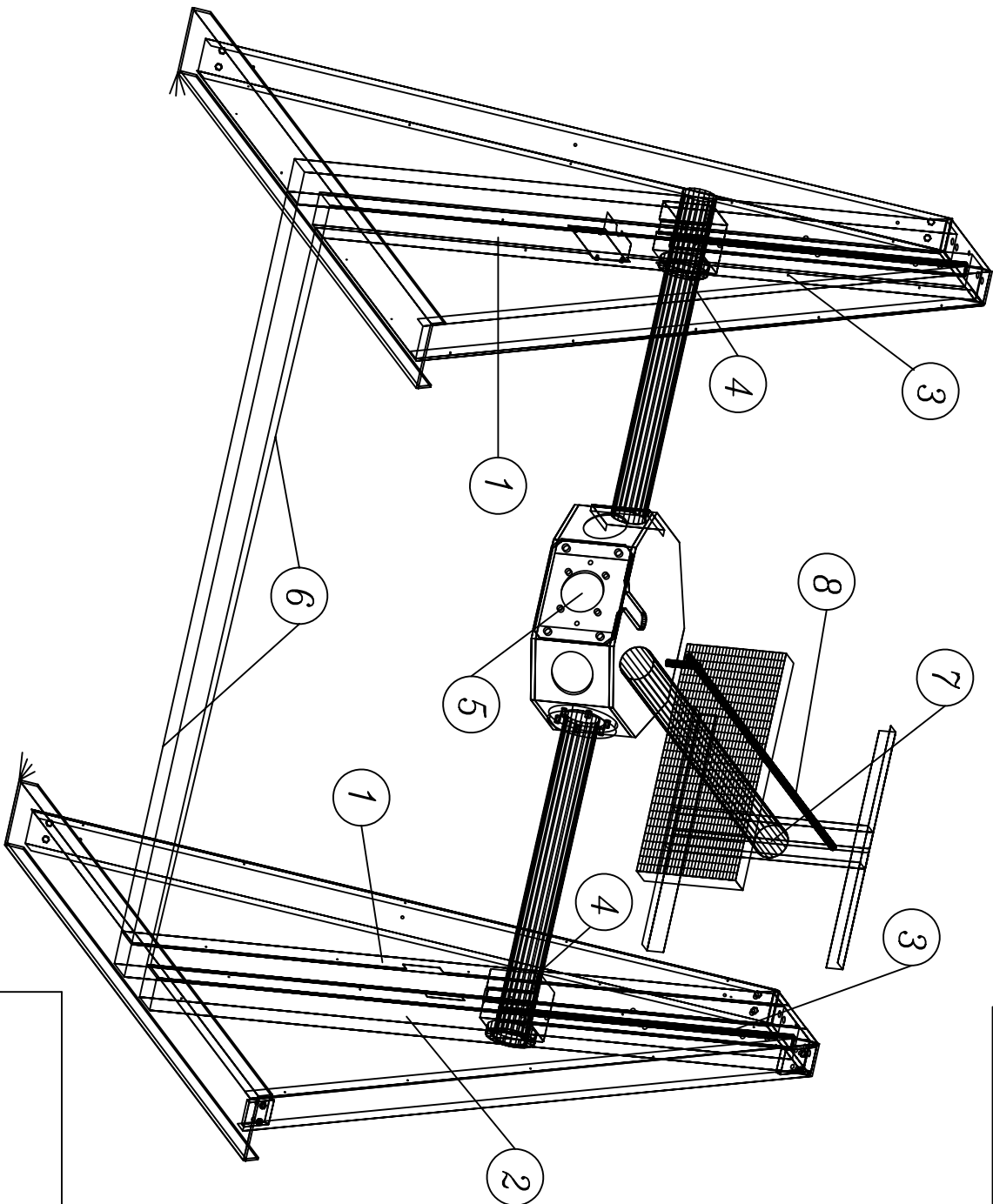
LUBE REQUIREMENTS FOR ELECTRIC MACHINES

NOTE! Numbers Referenced in drawing.

1. LIFT JACKS. Use synthetic motor oil. Apply with lint free cloth. (Tee-shirt type material). Clean shafts with unit in raised position and then lightly coat shafts with oil dampened cloth. SUGGESTION. Use a coffee can with lid and keep cloth in closed container for reuse. This should be done every 200 rides or minimum once per week.
2. TORQUE ARM GUIDE RAILS. Lube with white lithium grease once every 200 rides or minimum once per week. Clean off old grease and lightly re-coat surface. Do not allow old grease to accumulate.
3. PITCH SHAFT BEARING BLOCK GUIDE RAILS. Same as #2 above.
4. PITCH SHAFT BEARINGS .Use oil can with synthetic motor oil. Loosen pitch inner locking collars and move inwards to center about (1) one inch. Apply ten drops or equivalent to topside of bearing, wipe off excess. Put locking collar back into position and snug down set screws. Also apply 4 drops or equivalent to topside of acetyl bearing. This bearing is between outside of pitch block and outer locking collar, both sides. This should be done every 200 rides or if squeak is heard from bearing.
5. ROLL HUB BEARING. Apply ten drops or equivalent of synthetic motor oil to the top side of the bearing cage. This can be accessed thru the hand holes in the front of the center weldment. Use an oil can with flexible spout to reach into this area. This should be done every 200 rides or minimum once a week.
6. LIFT SYSTEM CROSS DRIVE SHAFT. One drop of synthetic motor oil per bearing. This should be done every 200 rides or minimum once a week.
7. COUNTERWEIGHT SHAFT. Remove old white lithium grease and lightly re-coat with same. Perform this lubing monthly.
8. COUNTERWEIGHT ACTUATOR DRIVE SHAFT. Add one small dab of Mobil EP-2 grease, before and after the counterweight clutch. Do not wipe off old grease.
9. LIFT SHOCKS. Lube with white lithium grease once every 200 rides or minimum once per week. Clean off old grease and lightly re-coat surface. Do not allow old grease to accumulate.

NOTE2. The Mobil EP-2 grease is also used inside the counterweight gear box. Normally no extra service is required on the gear box.

REVISIONS



LUBE REQUIREMENTS FOR ELECTRIC MACHINES

MAXFLIGHT CORPORATION
1 Executive Dr.
Toms River, NJ 08755

TITLE Electric Machine Lube Requirements

DOCUMENT NUMBER

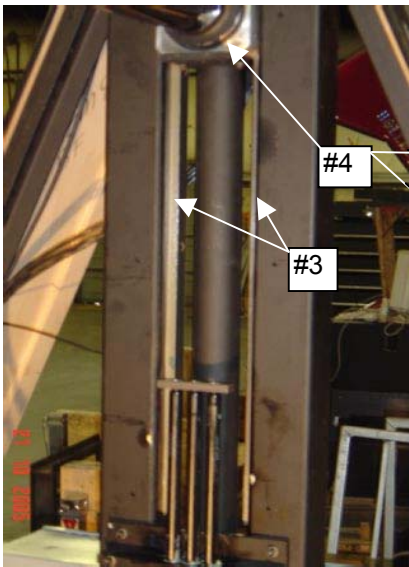
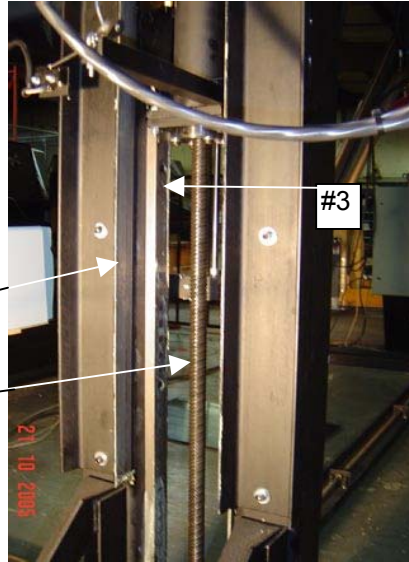
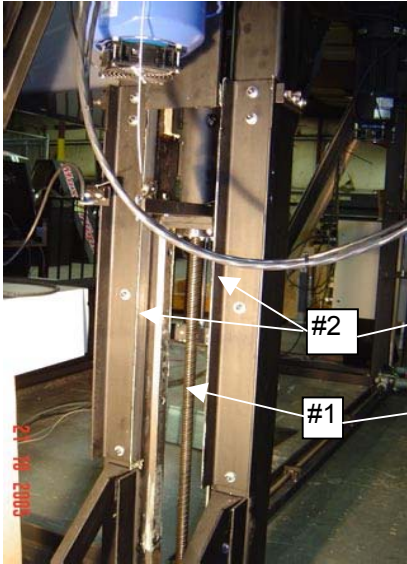
SIZE DRAWN BY: W/WB

CHECKED BY:

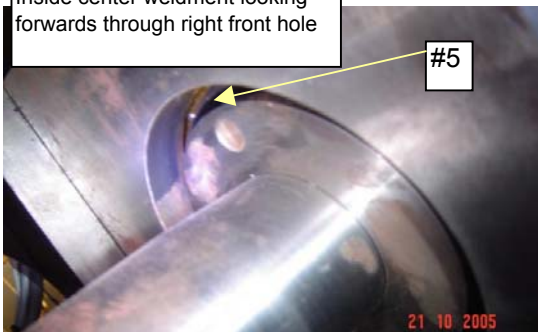
APPROVED BY:

DATE 20 Oct 2005

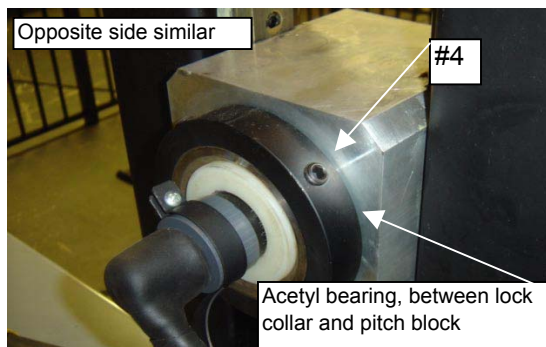
REV



Inside center weldment looking forwards through right front hole



Opposite side similar



Acetyl bearing, between lock collar and pitch block

