

MAXFLIGHT

Interactive Ride Systems

FS3000

FLIGHT SIMULATOR



As installed at the London Science Museum by Metropolis Entertainment Ltd



© 2010 NVIDIA

MAXFLIGHT SIMULATORS NOW IN HD-3D!!!



GET READY...our FS3000 Flight Simulators now feature **High Definition 3D** visuals!! The air to air combat, stunt flying and carrier landings seem like the real thing with the amazing and true to life depth and clarity of our HD-3D projection and 5 speaker surround sound system. Combine this with our patented, fully interactive 360 degree pitch and roll technology...and you have the world's most exciting indoor attraction experience available for the entertainment market!

How does repeat business sound? This one of a kind, out-of-home entertainment experience is sure to keep kids and adults alike coming back to your facility to experience the multiple flight scenarios and dozens of different aircraft that come with this package. Bring in even more revenue by hosting dog fighting tournaments with multiple simulators networked together! Like all MaxFlight Simulators, the FS3000 carries the big guns of **solid revenue, high volume, small footprint and excellent return on investment.**

REPEAT BUSINESS



HIGH TURNOVER

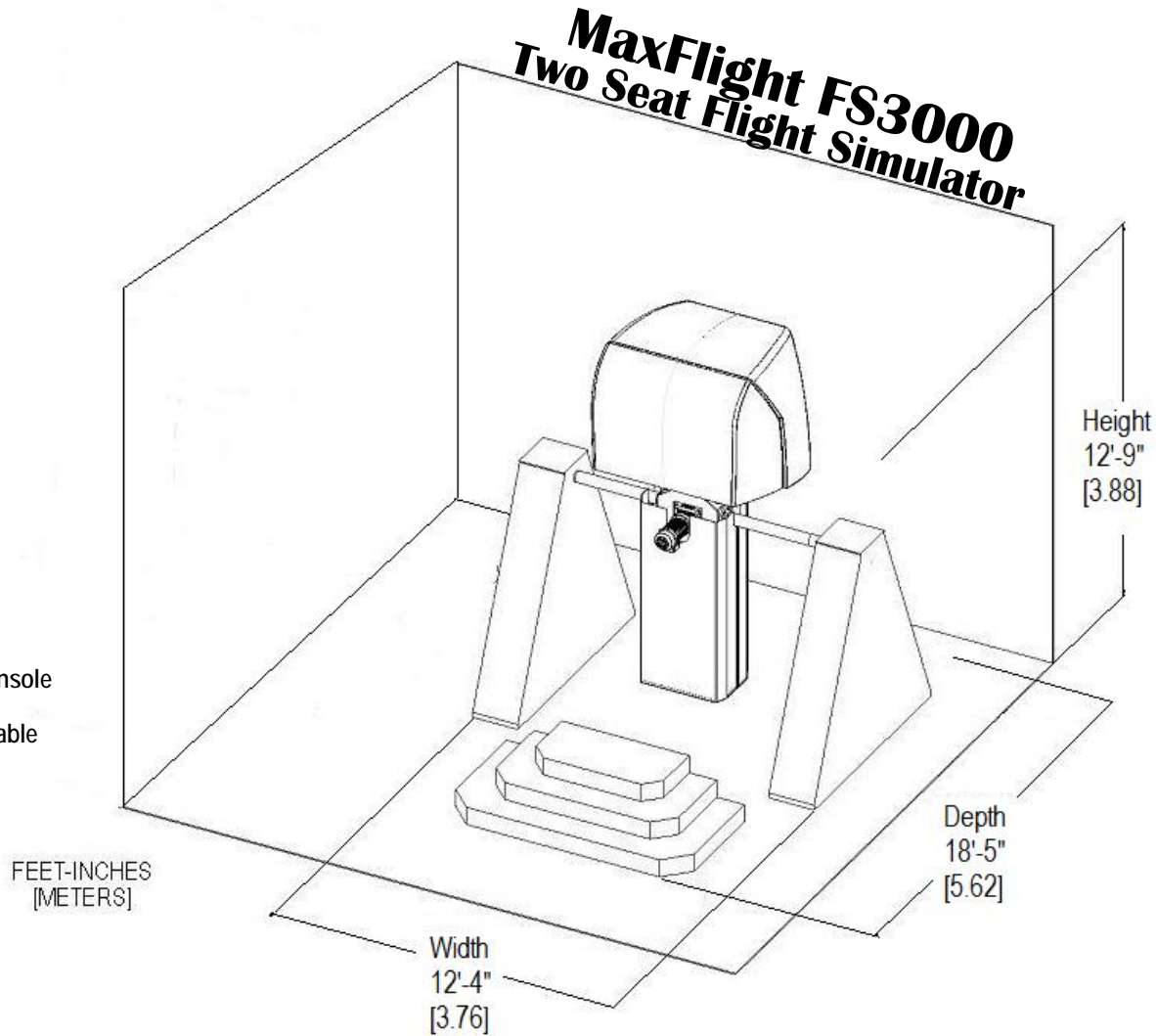


FUN FOR ALL AGES



Visit Us Online at WWW.MAXFLIGHT.COM For More Information

MaxFlight Corporation * 1 Executive Dr. * Toms River, NJ 08755-4947 * USA * Phone: +1(732) 281-2007 * Fax: +1(732)281-2009 * sales@maxflight.com



SPECIFICATIONS

Game Specifications

Model	MaxFlight FS3000 Two-Seat Flight Simulator
Description	Full 2-axis 360-degree motion base simulator
Game Description	Interactive Flying Games
Total Cycle Time Per Play	Variable
Players Per Machine	Two
Proprietary Hardware	Yes
Computer Platform	Intel Compatible PC, Windows 7
Proprietary Software	Yes
Display System	HD 3D Projection
Operator Required	Yes
On-Site Technician Required	Yes (free factory training available)
Remote Diagnostics / Support	Via Modem/ Internet or phone

Physical/Electrical Specifications

Height Requirements	12 feet, 9 inches (3.88 meters)
Width (fenced)	12 feet, 4 inches (3.76 meters)
Length (Depth)\(fenced)	18 feet, 5 inches (5.62 meters)
Floor Area	228.10 sq. ft. (21.13 sq. m)
Contact Feet	(2) 8 inches x 88 inches (20.3 cm x 223.5 cm)
Weight	4,000 lbs. (1,814.36 kg) approx.
Static Floor Loading	17.54 lbs./sq. ft (85.87 kg/sq. m)
Electrical Requirements	
(North America)	(1) 208-volt 3-phase 60Hz, 30 Amps (dedicated) (2) 110-volt 1-phase 60Hz, 20 Amps (dedicated)
(Outside North America)	Available upon request
Shipping Weight	4,300 lbs. (1,950.44 kg)

Visit Us Online at WWW.MAXFLIGHT.COM For More Information