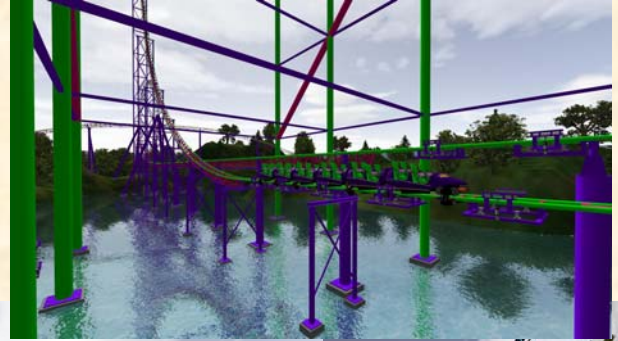


MAXFLIGHT

Interactive Ride Systems

VR2002

Roller Coaster



DESIGN AND RIDE YOUR OWN ROLLER COASTER IN FULL MOTION!!

The **VR 2002 Roller Coaster Simulator**, a full motion, cockpit sized theme park, has succeeded in phenomenal fashion worldwide. Riders can program their own journey, selecting track pieces to create millions (literally) of “mild to wild” track combinations. Passengers then strap into the coaster cockpit and the full-motion 360 degree “forward-of-axis” action sends them soaring, spiraling, plunging and twisting in two different pulse-pounding directions. Every loop, leap and lunge is seen on the huge 1080P HD projection screen. Premium quality 5.1 surround sound and the feel of real wind in your face creates a true adrenaline rush.

Customers everywhere are drawn to the **VR 2002 Roller Coaster’s** “Compact Big Attraction” appeal and —like all MaxFlight simulators— operators can count on **large throughput, a small footprint, solid revenues and an excellent return on investment.**

10+ MAXFLIGHT DESIGNED TRACKS AVAILABLE TOO!

REPEAT BUSINESS



HIGH TURNOVER

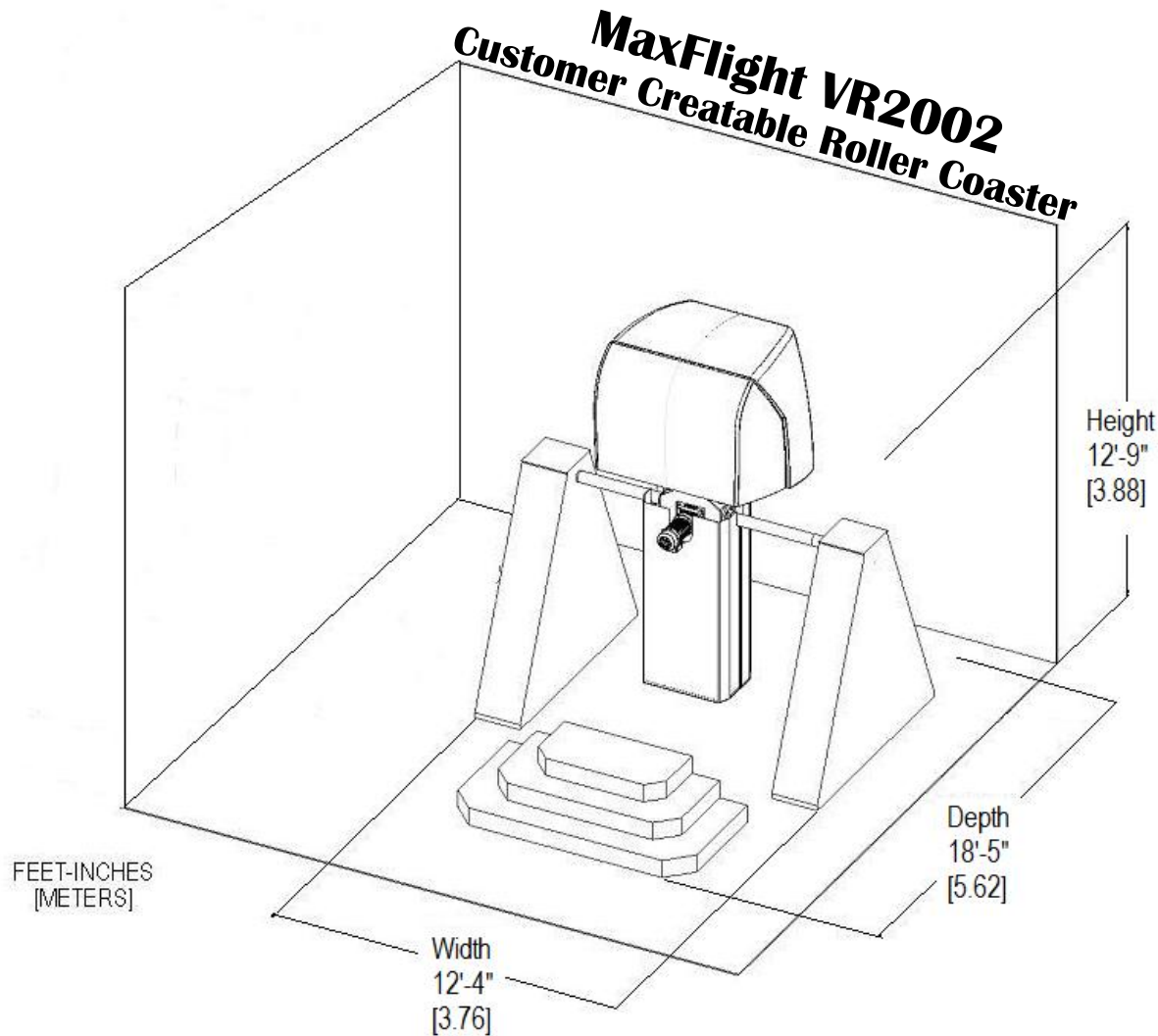


FUN FOR ALL AGES



Visit Us Online at WWW.MAXFLIGHT.COM For More Information

MaxFlight Corporation * 1 Executive Dr. * Toms River, NJ 08755-4947 * USA * Phone: +1(732) 281-2007 * Fax: +1(732)281-2009 * sales@maxflight.com



SPECIFICATIONS

Game Specifications

Model	MaxFlight VR2002 Roller Coaster
Description	Full 2-axis 360-degree motion base simulator
Game Description	Customer Creatable Roller Coaster System
Total Cycle Time Per Play	Variable
Players Per Machine	Two
Proprietary Hardware	Yes
Computer Platform	Intel Compatible PC, Windows 7
Proprietary Software	Yes
Display System	1080P LCD Projector
Operator Required	Yes
On-Site Technician Required	Yes (free factory training available)
Remote Diagnostics / Support	Via Internet and/or phone

Physical/Electrical Specifications

Height Requirements	12 feet, 9 inches (3.88 meters)
Width (fenced)	12 feet, 4 inches (3.76 meters)
Length (Depth)\(fenced)	18 feet, 5 inches (5.62 meters)
Floor Area	228.1 sq. ft. (21.13 sq. m)
Contact Feet	(2) 8 inches x 88 inches (20.3 cm x 223.5 cm)
Weight	4,000 lbs. (1,814.36 kg) approx.
Static Floor Loading	17.54 lbs./sq. ft (85.87 kg/sq. m)
Electrical Requirements	
(North America)	(1) 208-volt 3-phase 60Hz, 30 Amps (dedicated) (2) 110-volt 1-phase 60Hz, 20 Amps (dedicated)
(Outside North America)	Available upon request
Shipping Weight	4,300 lbs. (1,950.44 kg)

Visit Us Online at WWW.MAXFLIGHT.COM For More Information