

MAXFLIGHT

VS-4000

Interactive Ride Systems

Mini Sub Simulator



An Underwater HD-3D Adventure!!



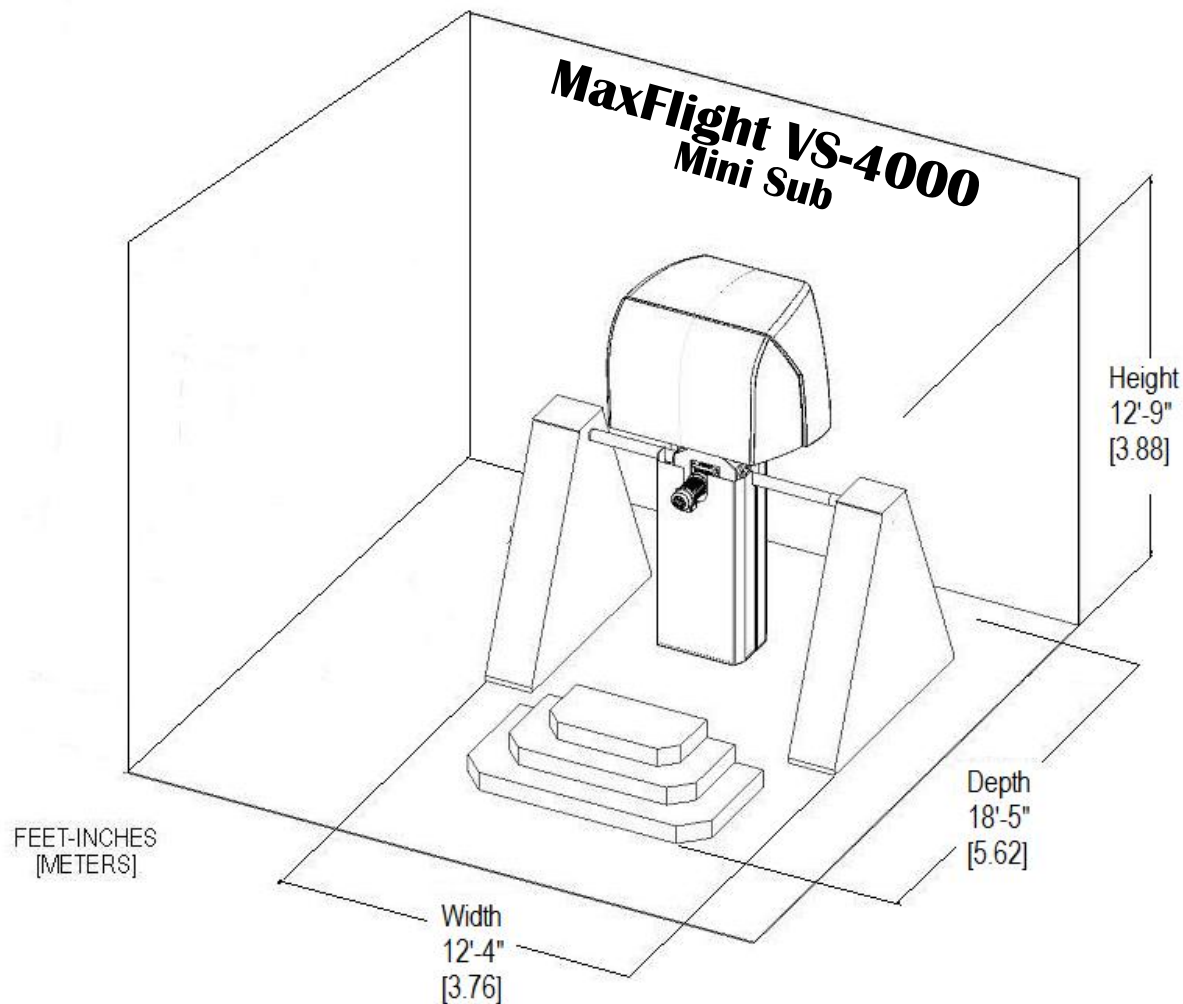
Climb aboard the new MaxFlight VS-4000 Mini-Sub and hold on tight as you get to experience an all new HD-3D underwater adventure in full 360 degree pitch & roll motion! This ride will educate as well as entertain guests while they explore the mysterious depths of the Bermuda Triangle. Passengers will encounter sunken ship wrecks, missing scout planes from World War II and sea creatures that seem to jump right out of the screen!

The VS-4000's "Compact Big Attraction" appeal can help bring in amazing new revenue and foot traffic in a wide range of locations... Such as FEC's, museums and aquariums. Like all MaxFlight simulators, operators can count on large throughput, a small footprint, solid revenues and an excellent return on investment!!



Visit Us Online at WWW.MAXFLIGHT.COM For More Information

MaxFlight Corporation * 1 Executive Dr. * Toms River, NJ 08755-4947 * USA * Phone: +1(732) 281-2007 * Fax: +1(732)281-2009 * sales@maxflight.com



SPECIFICATIONS

Game Specifications

Model	MaxFlight VS-4000 Mini Sub Simulator
Description	Full 2-axis 360-degree motion base simulator
Game Description	Submarine Ride
Total Cycle Time Per Play	4 Minutes
Players Per Machine	Two
Proprietary Hardware	Yes
Computer Platform	Intel Compatible PC, Windows 7
Proprietary Software	Yes
Display System	HD 3D Projection
Operator Required	Yes
On-Site Technician Required	Yes (free factory training available)
Remote Diagnostics / Support	Via Modem/ Internet or phone

Physical/Electrical Specifications

Height Requirements	12 feet, 9 inches (3.88 meters)
Width (fenced)	12 feet, 4 inches (3.76 meters)
Length (Depth)\(fenced)	18 feet, 5 inches (5.62 meters)
Floor Area	228.1 Sq. ft (21.13 sq. m)
Contact Feet	(2) 8 inches x 88 inches (20.3 cm x 223.5 cm)
Weight	4,000 lbs. (1,814.36 kg) approx.
Static Floor Loading	17.54 lbs./sq. ft (85.87 kg/sq. m)
Electrical Requirements	
(North America)	(1) 208-volt 3-phase 60Hz, 30 Amps (dedicated) (2) 110-volt 1-phase 60Hz, 20 Amps (dedicated)
(Outside North America)	Available upon request
Shipping Weight	4,300 lbs. (1,950.44 kg)

Visit Us Online at WWW.MAXFLIGHT.COM For More Information