

MAXFLIGHT

Interactive Ride Systems

FS3000

FLIGHT SIMULATOR



As installed at the London Science Museum by Metropolis Entertainment Ltd



Kick the Tires and Light the Fires



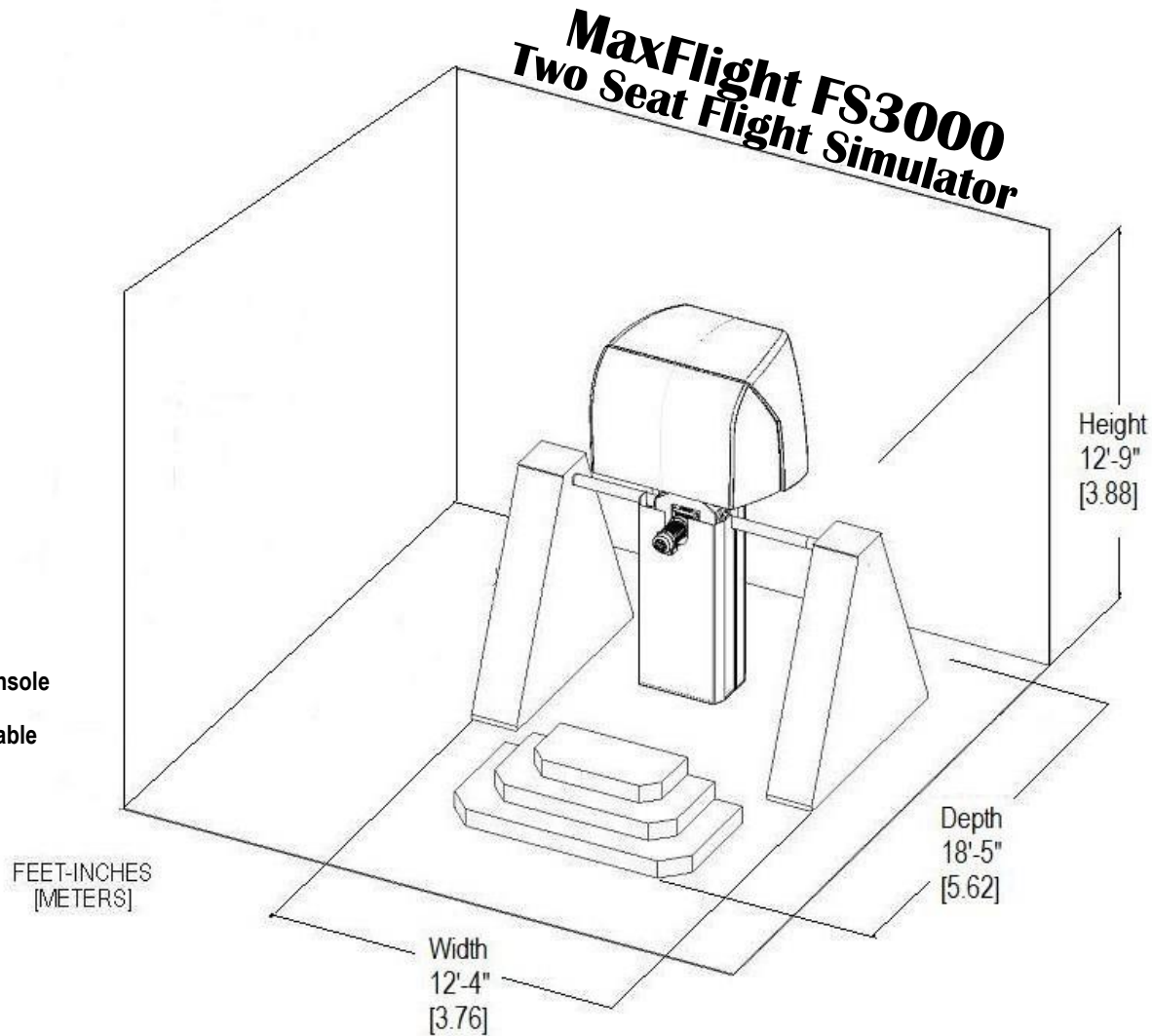
GET READY...our FS3000 Flight Simulators now feature ***High Definition** visuals!! The air to air combat, stunt flying and carrier landings seem like the real thing with the amazing and true to life depth and clarity of our HD flat panel and 5 speaker surround sound system. Combine this with our patented, fully interactive 360 degree pitch and roll technology...and you have the world's most exciting indoor attraction experience available for the entertainment market!

How does repeat business sound? This one of a kind, out-of-home entertainment experience is sure to keep kids and adults alike coming back to your facility to experience the multiple flight scenarios and dozens of different aircraft that come with this package. Bring in even more revenue by hosting dog fighting tournaments with multiple simulators networked together! Like all MaxFlight Simulators, the FS3000 carries the big guns of **solid revenue, high volume, small footprint** and **excellent return on investment**.



Visit Us Online at WWW.MAXFLIGHT.COM For More Information

(732) 281-2007 - sales@maxflight.com



SPECIFICATIONS

Game Specifications

| | |
|------------------------------|--|
| Model | MaxFlight FS3000 Two-Seat Flight Simulator |
| Description | Full 2-axis 360-degree motion base simulator |
| Game Description | Interactive Flying Games |
| Total Cycle Time Per Play | Variable |
| Players Per Machine | Two |
| Proprietary Hardware | Yes |
| Computer Platform | Intel |
| Proprietary Software | Compatible PC, Windows |
| Display System | Yes |
| Operator Required | HD Flat panel |
| On-Site Technician Required | Yes (free factory training available) |
| Remote Diagnostics / Support | Via Modem/ Internet or phone |

Physical/Electrical Specifications

| | |
|-------------------------|--|
| Height Requirements | 12 feet, 9 inches (3.88 meters) |
| Width (fenced) | 12 feet, 6 inches (3.76 meters) |
| Length (Depth)(fenced) | 18 feet, 5 inches (5.62 meters) |
| Floor Area | 228.10 sq. ft. (21.13 sq. m) |
| Contact Feet | (2) 6 inches x 88 inches (20.3 cm x 223.5 cm) |
| Weight | 4,250 lbs. (1,814.36 kg) approx. |
| Static Floor Loading | 18.54 lbs./sq. ft (85.87 kg/sq. m) |
| Electrical Requirements | |
| (North America) | (1) 208-volt 3-phase 60Hz, 20 Amps (dedicated) (2) 110-volt 1-phase 60Hz, 20 Amps (dedicated) |
| (Outside North America) | Available upon request |
| Shipping Weight | 5,300 lbs. (1,950.44 kg) |

Visit Us Online at WWW.MAXFLIGHT.COM For More Information